

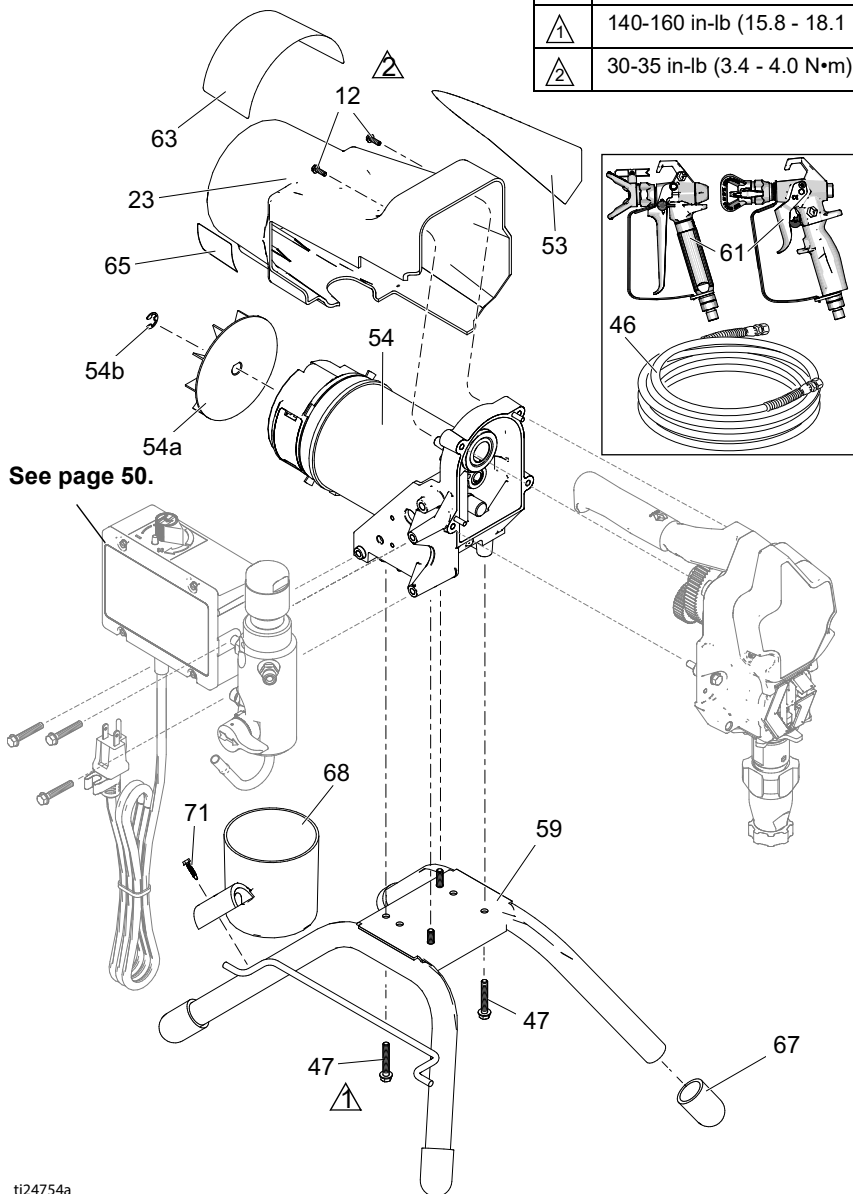


Stand Sprayers

Stand Sprayers

Models 17C314, 17C359, 17C361, 17C390, 17C391, 17C392, 17C409, 17E023, 17E024, 18C269, 826196

Ref.	Torque
 140-160 in-lb (15.8 - 18.1 N•m)	
 30-35 in-lb (3.4 - 4.0 N•m)	

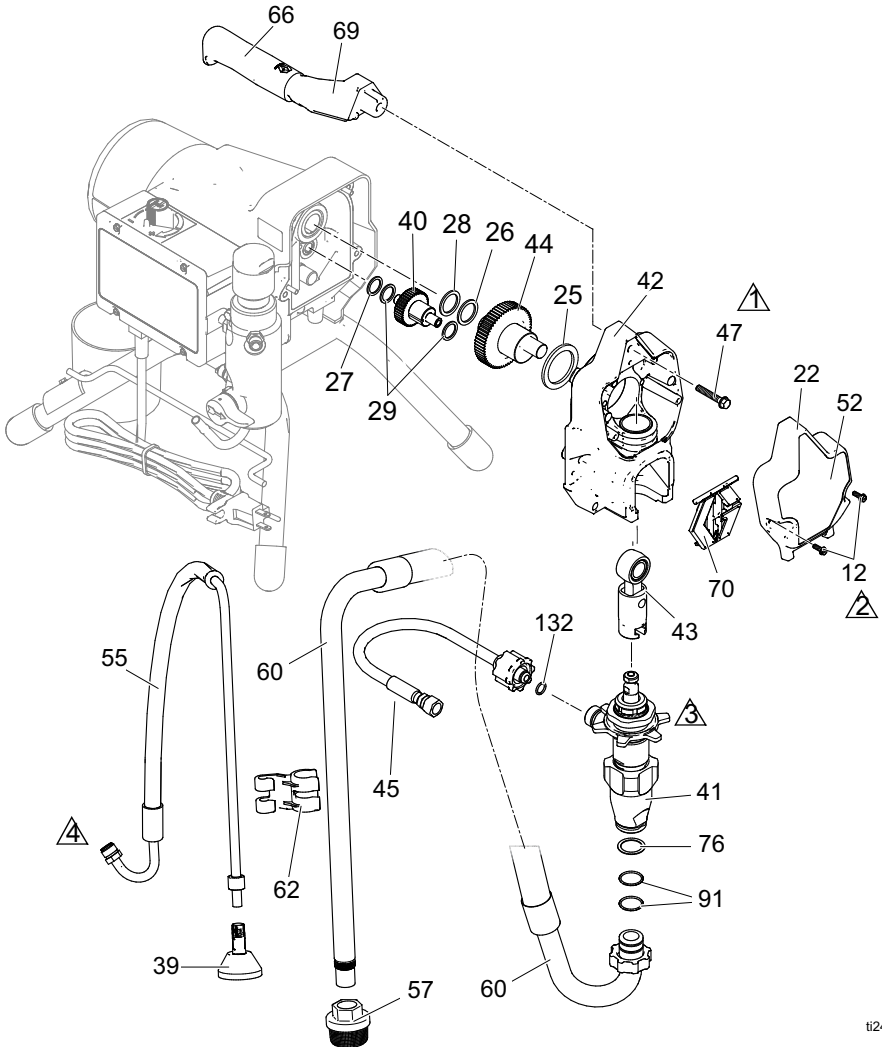


See page 50.

Stand Sprayers

Models 17C314, 17C359, 17C361, 17C390, 17C391, 17C392, 17C409, 17E023, 17E024, 18C269, 826196

Ref.	Torque
①	140-160 in-lb (15.8 - 18.1 N•m)
②	30-35 in-lb (3.4 - 4.0 N•m)
③	Hammer tight
④	25-30 ft-lb (33.9 - 40.7 N•m)



ti24753a

Stand Sprayers

Stand Sprayers Parts List

Models 17C314, 17C359, 17C361, 17C390, 17C391, 17C392, 17C409, 17E023, 17E024, 18C269, 826196

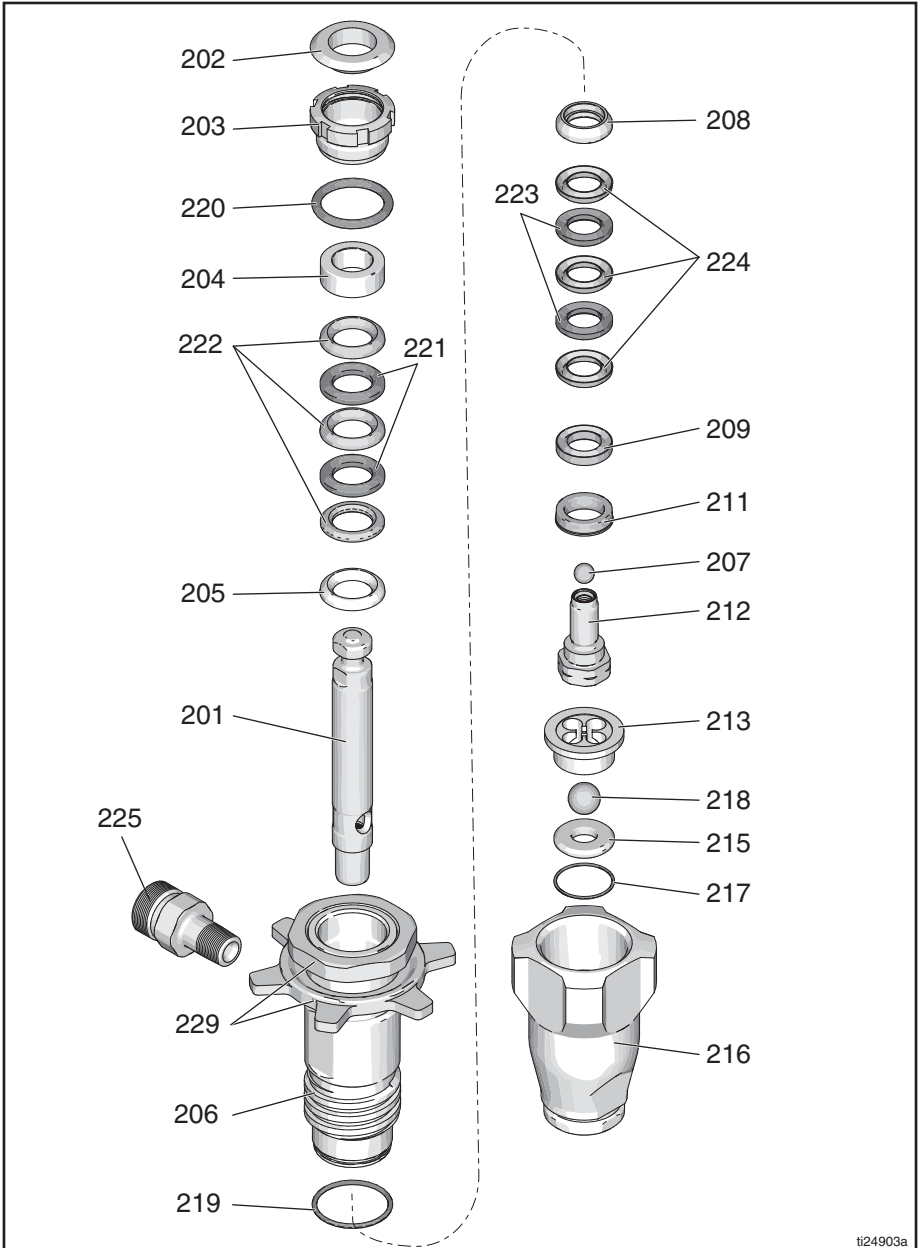
Ref. Part	Description	Qty.	Ref. Part	Description	Qty.
12	117501 SCREW, mach, hex washer hd	4	54*	MOTOR, <i>includes 54a, 54b</i>	1
22	17C539 COVER, front, painted	1	287015	110V / 120V	
23	15B465 SHIELD, motor, painted	1	287060	230V	
25	180131 BEARING, thrust	1	54a	118716 RING, retaining	1
26	107434 BEARING, thrust	1	54b	248189 FAN, motor, <i>includes 54a</i>	1
27	116073 WASHER, thrust	1	55	246381 HOSE, drain, stand, <i>includes 39, 62</i>	1
28	116074 WASHER, thrust	1	57	246385 STRAINER, 7/8-14 unf	1
29	116079 BEARING, thrust	2	59	15E823 FRAME, standmount, <i>includes 67</i>	1
33	206994 FLUID, TSL (not shown)	1	60	246386 KIT, hose suction, <i>includes 57, 62, 76, 91</i>	1
34▲	See page 49 CARD, medical alert (not shown)	1	61	See page 49 GUN, spray	1
39	241920 DEFLECTOR, threaded	1	62	276888 CLIP, drain line	1
40	249194 GEAR, reducer	1	63▲	See page 49 LABEL, danger	1
41	PUMP, displacement, PC	1	65▲	See page 49 LABEL, warning	1
	17C487 North America		66	116139 GRIP, handle	1
	17C488 Asia/ANZ/Japan		67	15G857 CAP, leg	4
	17C489 Europe		68	287903 CUP, suction/drain	1
42	24W817 HOUSING, drive, PC, <i>includes 47</i>	1	69	287072 HANDLE, sprayer, <i>includes 47, 66</i>	1
43	24W640 ROD, connecting, PC	1	70	17C483 COVER, pump rod	1
44	GEAR, crankshaft, <i>includes 25</i>	1	71	122667 SCREW, drill, hex washer head	1
	24X020 395 models		76	115099 WASHER, hose	1
	24X021 495 models		91	117559 O-ring	2
45	24W830 KIT, hose, cpld, PC, <i>includes 132</i>	1	132	16H137 PACKING, O-ring	1
46	See page 49 HOSE, cpld, 1/4 in. x 50 ft	1	206994	FLUID, TSL, 8 oz. (not shown)	1
47	117493 SCREW, mach, hex washer hd	9			
52	See page 49 LABEL, front	1			
53	See page 49 LABEL, side	1			

* For motor brush kit order 287735

▲Replacement Danger and Warning labels, tags, and cards are available at no cost.

Parts

Models 17C487, 17C488, 17C489, 17C721, 17M992, 24Z731



ti24903a

Parts List

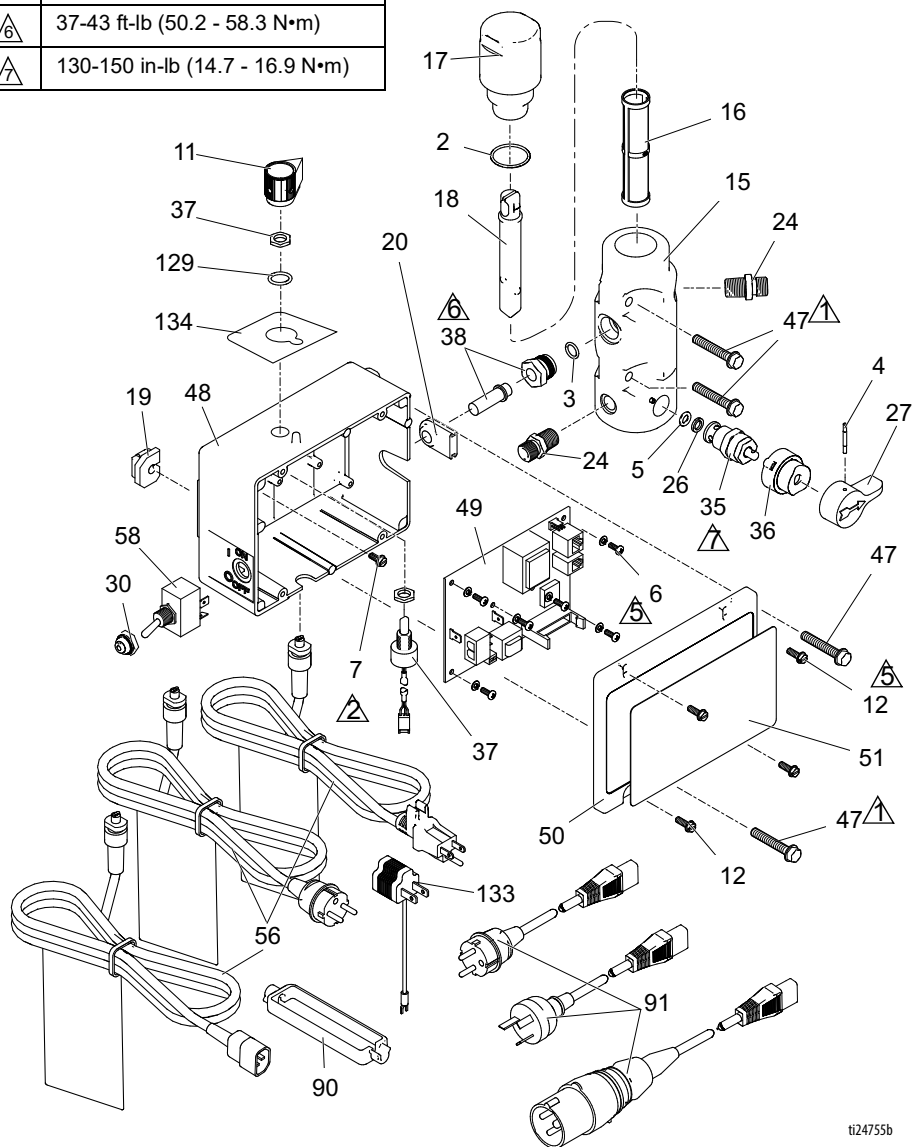
Models 17C487, 17C488, 17C489, 17C721, 17M992, 24Z731

Ref.	Part	Description	Qty.	Ref.	Part	Description	Qty.
201	24W617	ROD, displacement, <i>includes 212</i>	1	220*	160516	O-RING	1
202*	180656	BUTTON, plug	1	221*	176755	V-PACKING, leather, throat	2
203	193047	NUT, packing	1	222*	192710	V-PACKING, throat, V-Max™	3
204*	176757	GLAND, female, throat	1			UHMWPE, blue	
205*	176754	GLAND, male throat	1	223*	176749	V-PACKING, leather, piston	2
206	24W619	CYLINDER, pump <i>includes 219, 229</i>	1	224*	192712	V-PACKING, piston, V-Max™	3
207*	105444	BALL, sst, 0.3125 in.	1			UHMWPE, blue	
208*	195129	GLAND, male piston	1	225			
209*	180073	GLAND, female, piston	1	<u>Models 17C487, 17C488, 17C489, 17C721</u>			
211*	15G234	GUIDE, piston	1		17C231	FITTING, pump, QD, 1/4 npt	1
212	239937	VALVE, piston (included with 201)	1	<u>Model 17M992</u>			
213†	15C011	GUIDE, ball	1		162453	FITTING, 1/4 npt	1
215†	246429	KIT, seat, carbide includes 213, 217 and 218	1	229		NUTS, retaining, not sold separately	
216	15B611	VALVE, intake housing	1	* - Also included in Kit 18B260 (formerly part number 244194)			
217*†	15B112	PACKING, o-ring (0.941 in. OD)	1	† - Also included in Kit 246429			
218*†	105445	BALL, sst, 0.5000 in.	1				
219*	17V093	PACKING, o-ring	1				

Control Box

Control Box

Ref.	Torque
	140-160 in-lb (15.8 - 18.1 N•m)
	30-35 in-lb (3.4 - 4.0 N•m)
	20-25 in-lb (2.3 - 2.8 N•m)
	37-43 ft-lb (50.2 - 58.3 N•m)
	130-150 in-lb (14.7 - 16.9 N•m)



ti24755b

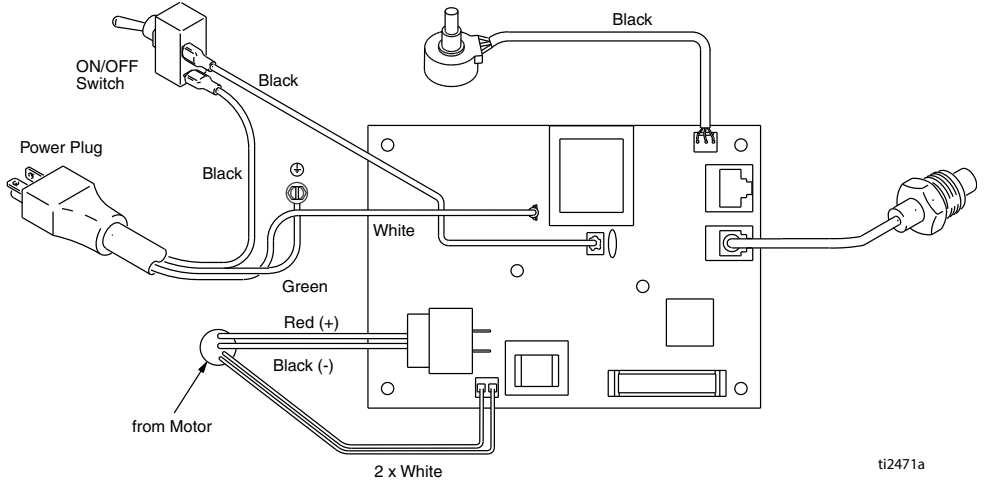
Control Box Parts List

Ref. Part	Description	Qty.	Ref. Part	Description	Qty.		
2	117828	PACKING, o-ring	1	49	CONTROL, board	1	
3	111457	PACKING, o-ring	1	246378	110V, UK		
4	111600	PIN, grooved	1	246379	120V, US/Japan		
5	277364	GASKET, seat, valve	1	246380	230V, Europe/Asia/ANZ		
6	115494	SCREW, mach, Phillips, pan hd	6	24X292	230V, China		
7	115498	SCREW, mch, slot/hex, wash hd	1	24X752	230V, 495 models, 3000 psi/207 bar		
11	116167	KNOB, potentiometer	1	24X751	230V, 495 models, 3300 psi/228 bar		
12	117501	SCREW, mach, hex washer hd	4	50	276882	COVER, control	1
15		MANIFOLD, fluid	1	287098	DIGITAL, display <i>includes 51</i>		
	15G455	Models without pressure gauge		51	LABEL, control	1	
	15T811	Models with pressure gauge		15K393	ULTRA/Classic S		
16		FILTER, fluid	1	15B373	Ultimate NOVA		
	246425	30 mesh		15K400	Models with display		
	246384	60 mesh, original		56	CORD, power	1	
	246382	100 mesh		15J743	US/Japan		
	246383	200 mesh		253368	UK		
17	287902	CAP, manifold, <i>includes 18</i>	1	253369	Europe, CEE 7/7		
18	15B071	INSERT, filter	1	253373	Multicord, Asia/ANZ		
19	15B118	BUSHING, motor wire	1	58	SWITCH, toggle	1	
20	15B120	GROMMET, transducer	1	195429	120V, US/Japan		
24	162453	NIPPLE, (1/4 npsm x 1/4 npt)	2	117492	110V / 230V, Europe/Asia/ANZ/UK		
26	15E022	SEAT, valve	1	90	195551	RETAINER, plug, adapter	
27	187625	HANDLE, valve, drain	1		Multicord models	2	
30	195428	BOOT, toggle	1	91	CEE 7/7 models	1	
35	239914	VALVE, drain, <i>includes</i> <i>5, 26</i>	1		CORD SET, adapter	1	
36	224807	BASE, valve	1	242001	Europe		
37	17D888	POTENTIOMETER, assembly	1	242005	Australia		
38	243222	TRANSDUCER, pressure control, <i>includes 3</i>	1	129	158674	O-ring, packing	1
47	117493	SCREW, mach, hex washer hd	4	133	244285	ADPTER, Japan	1
48	276868	BOX, control	1		115523	GAUGE, pressure, fluid, not shown (on select models)	1
				134	LABEL, pressure, adjustment		
				17P737	Other models	1	
				17P738	Model 17C409	1	

Wiring Diagrams

Wiring Diagrams

110/120V

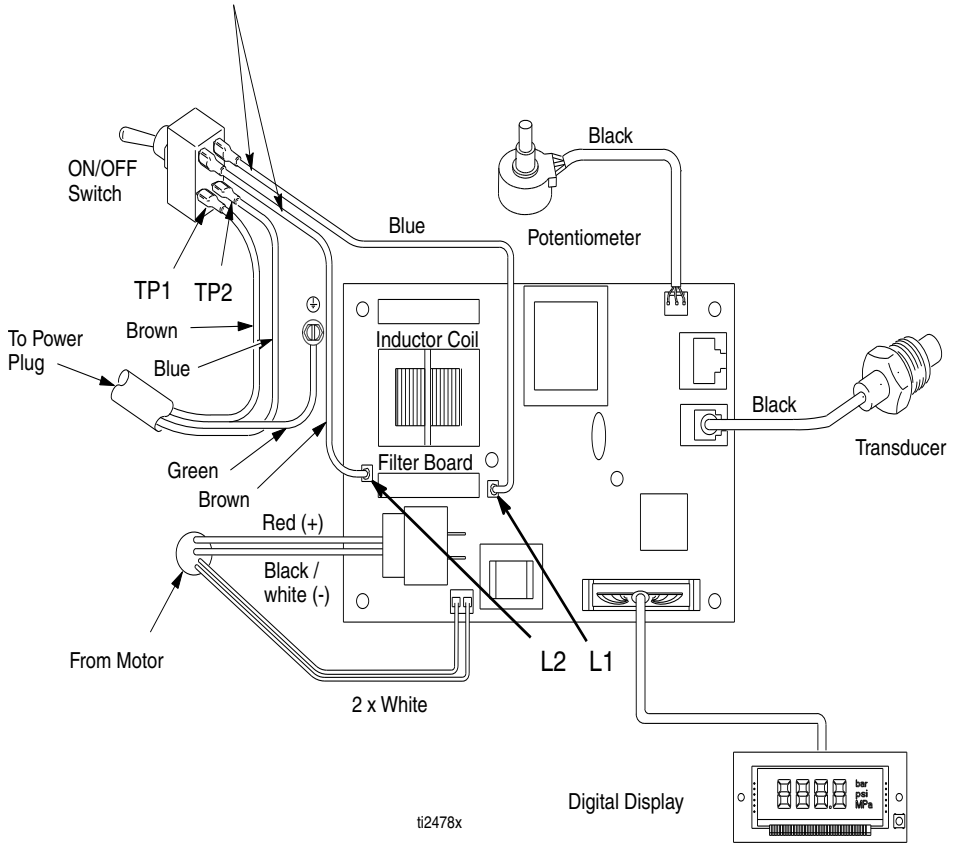


ti2471a

230V

NOTICE

Heat from inductor coil of filter board may destroy wire insulation that comes in contact with it. Exposed wires could cause shorts and component damage. Bundle and tie loose wires so none lay in contact with inductor coil on the filter board.



Accessories and Labels

Sprayer Model	Ref. 34 Card, Medical Alert ▲	Ref. 46 Hose, 1/4 in. x 50 ft	Ref. 52 Label, Front	Ref. 53 Label, Side	Ref. 61 Gun, Spray	Ref. 63 Label, Danger ▲	Ref. 65 Label, Warning ▲
17C314 17C315 17C317	222385 #	240794	17C823	17C824	288420	15B516 &	195793 &
17C359 17C361 17C362	222385 #	240794	17C865	17C874	288438	---	16G596 \$
17C390 17C408	17A134 %	240794	17C823	17C824	288427/ 288436	15H087 @	195792 @
17C391	17A134 %	240794	17C823	17C824	288427/ 288436	15H086 *	195792 @
17C392	17A134 %	240794	17C963	17C962	17C926	15H087 @	195792 @
17C409	17A134 %	247340	17C856	17C859	16X214	15H087 @	195792 @
17E023 17E024 17E025 17E026 18C269	222385 #	240794	17E046	17E047	288438	---	16G596 \$
826196 826197 826198	222385 #	826079	17C825	17C826	826085	15B516 &	195793 &
288526 – Kit, accessory, hopper							
# – English, Spanish, French							
% – English, Chinese, Korean							
& – North America							
@ – Asia/ANZ							
\$ – Europe							
* – Japan							
▲ Replacement Danger and Warning labels, tags, and cards are available at no cost.							

Technical Specifications

Technical Specifications

Ultra 395/495 PC Classic, Ultra 395 PC, Ultimate NOVA 395 PC, Classic S 395/495 PC, Ultra 395 PC Pro		
	US	Metric
Sprayer		
Maximum fluid working pressure		
Ultra 395/495 PC Classic	3000 psi	207 bar, 20.7 MPa
Ultra 395 PC, Ultimate NOVA 395 PC, Classic S 395/495 PC, Ultra 395 PC Pro	3300 psi	228 bar, 22.8 MPa
Maximum Delivery (395 models)	0.54 gpm	2.0 lpm
Maximum Tip Size (395 models)	0.023	0.023
Maximum Delivery (495 models)	0.60 gpm	2.3 lpm
Maximum Tip Size (495 models)	0.025	0.025
Fluid Outlet npsm	1/4 in.	1/4 in.
Cycles (395 models)	700 per gallon	185 per liter
Cycles (495 models)	581 per gallon	154 per liter
Generator Minimum	3000 W	3000 W
110–120V, A, Hz	1Ø, 13, 50/60	
220–240V, A, Hz	1Ø, 7, 50/60	
Dimensions		
Height		
Stand	18.5 in.	47 cm
Lo-Boy	22.5 in.	57.2 cm
Hi-Boy	28.25 in. (Handle down) 38.25 in. (Handle up)	71.8 cm (Handle down) 97.2 cm (Handle up)
Length		
Stand	16 in.	40.6 cm
Lo-Boy	26.5 in.	67.3 cm
Hi-Boy	23.25 in.	59.1 cm
Width		
Stand	14 in.	35.6 cm
Lo-Boy	20 in.	50.6 cm
Hi-Boy	20.5 in.	52.1 cm
Weight		
Stand	43 lb.	20 kg
Lo-Boy	63 lb.	29 kg
Hi-Boy	66 lb.	30 kg